



**INSTALLING YOUR
PLATINUM
3000
CAVITY UNIT**

INSTALLING YOUR PLATINUM 3000 CAVITY UNIT

Thank you for purchasing the Platinum 3000 Cavity Door Unit.

Please follow these instructions carefully. Proper installation and maintenance will bring you years of trouble-free use.

IMPORTANT INFORMATION:

Single cavity units have a weight limit of 65kg. Double cavity units have a door weight limit of 45kg each door. Cavity units are not load bearing. When installing double Cavity units it is important that the track is fixed to a structural member. Screw through the centre of track. Only use button head screws (not provided in fittings).

Care should be taken when installing the cavity unit into wall tiled areas. Please consult with the substrate/tile manufacturer as to their recommended fixing and tiling methods in accordance with the relevant standards.

Do not remove the temporary spacer plates in the opening of the cavity throat until the wall sheeting has been completed.

CONTENTS:

Check that you have all the contents and tools to install your Platinum 3000.

Contents include:

- 1 x cavity pocket
- 1 x head track assembly
- 2 x removable fillets
- 1 x glide guide kit*
- 1 x trolley kit
- 1 x closing jamb†
- 2 x 60mm converter bumper stops

Glide guide kit includes*:

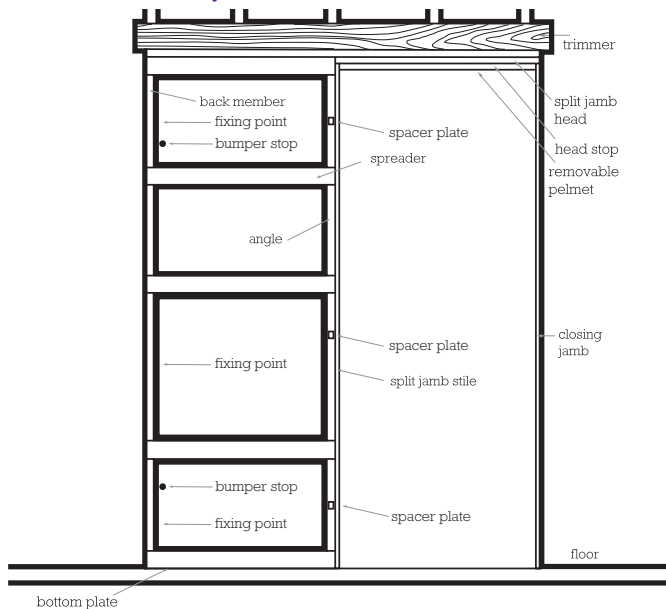
- 2 x glide guide strips
- 2 x nylon finger guides
- 2 x 15mm round head screws
- 10 x panel pins

Trolley kit includes:

- 2 x carriage assemblies
- 2 x door support brackets
- 1 x reversible door guide*
- 1 x spanner
- 1 x spanner clip
- 2 x 16mm pan head screw
- 1 x 15mm countersunk screw
- 4 x 35mm countersunk screws
- 4 x 30mm hex head screws
- 1 x 25mm concrete nail
- 4 x complete snap caps
- 8 x 12mm metal thread hex head screws
- 3 x 65mm metal thread hex head screws

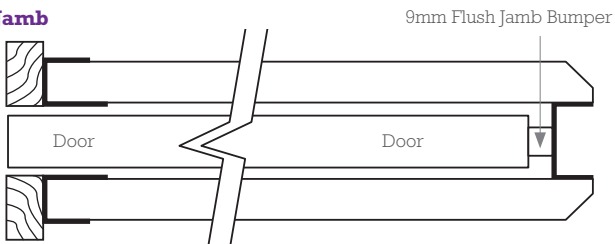
† VIC, SA, WA only. * WA, NSW, QLD only.

Platinum 3000 Cavity Elevation

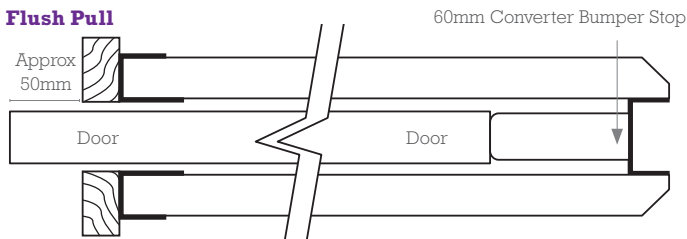


Cavity unit with door in fully open position

Flush Jamb

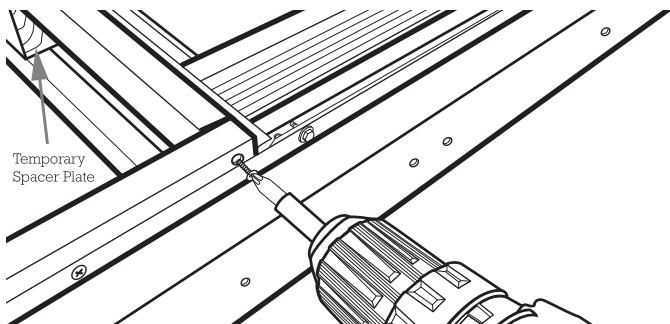


Flush Pull



Please note: To convert a flush jamb cavity unit into a flush pull unit install the 2 x 60mm converter bumper stops (included in the fittings) onto the back member as close as possible to the existing bumper stops. Some unit sizes/types may not be available in all states.

STEP 1

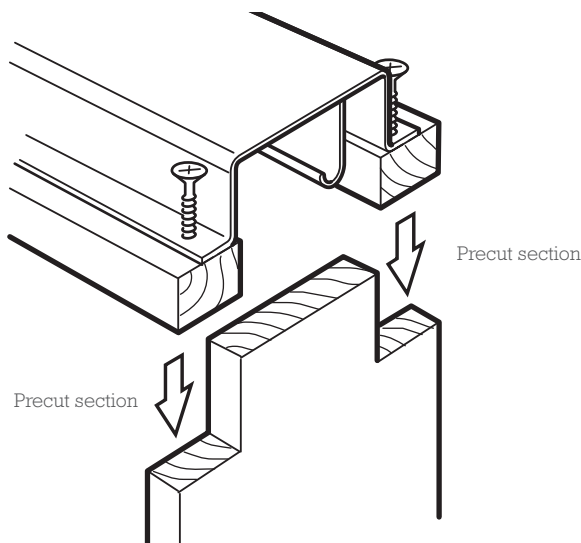


Fit and screw the head track assembly to the cavity pocket using the 8 x 12mm metal thread hex head screws. **Do not remove the temporary spacer plates in the opening of the cavity throat until the wall sheeting has been completed.**

STEP 2 Using a 50mm screw/nail (not provided in fittings) secure the split jamb head to the split jamb stile (ensure this is predrilled prior). Turn the cavity pocket over and repeat Step 2.

STEP 3

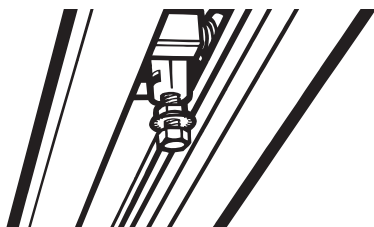
VIC, SA, WA only



Cut down the sides from the end of the closing jamb – refer to the pre cut section in the detail shown. Screw/nail (not provided with fittings) the closing jamb to the head section fixing through the head timber into the closing jamb stile. **Note:** If a double door unit is being installed a closing jamb is not supplied. Insert the two door stops at the centre of the track.

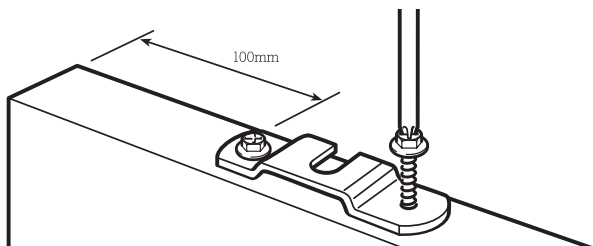
STEP 4 Place the assembled unit in position in the opening. Plumb and fasten to the brick/stud. It is important that the back member of the cavity pocket is installed by packing and fixing as close as possible to the two bumper stops. A minimum of three fixings is required - see Platinum 3000 Cavity Elevation. Use the 3 x 65mm metal thread hex head screws. **Do not remove the temporary spacer plates in the opening of the cavity throat until the wall sheeting has been completed.** Fasten the base to the floor using the 1 x concrete nail or alternative fixing method.

STEP 5



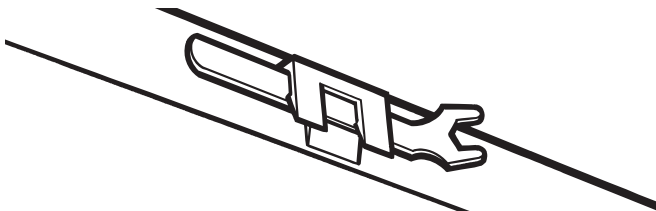
Place the 2 x carriage assemblies in the track.

STEP 6



Attach the 2 x door support brackets to the top of the door using the 4 x 30mm hex head screws, 100mm in from each side.

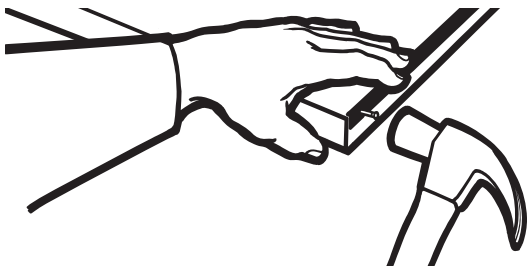
STEP 7



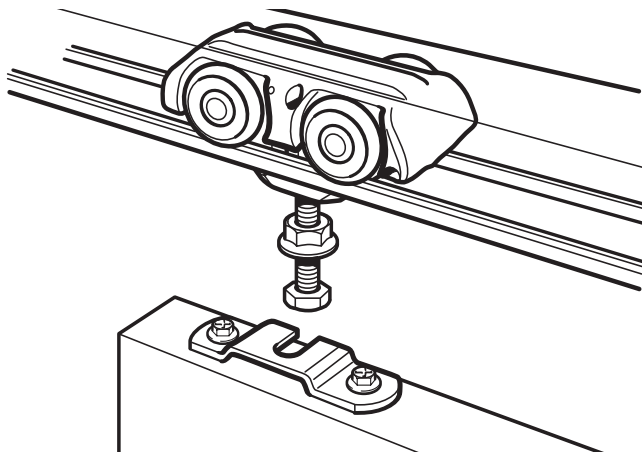
Attach the 1 x spanner storage clip to the top of the door using the 1 x 15mm countersunk screw.

STEP 8

QLD, NSW, WA only



Cut the 2 x glide guide strips to suit the door width. Tack both strips to the bottom of the door using 5 x panel pins with each glide guide strip (total 10 x panel pins).

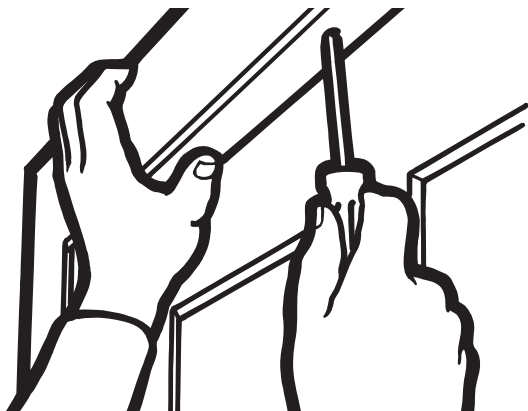
STEP 9

With the door in the opening, lift to locate each door support bracket onto the carriage assembly thread, ensuring the self locking nuts are above the bracket.

STEP 10 Use the 1 x spanner provided to raise and level the door to the required height and to plumb against the closing jamb. Tighten the lock nuts when the door is correctly positioned. Do not discard the spanner. Attach it to the spanner clip for future use.

STEP 11 Slide the reversible door guide along the groove in the bottom of the door. Loosely screw the guide to the split jamb using the 2 x 16mm pan head screws. Centre the door in the pocket and then fully tighten screws.

STEP 12



Screw in place the removable fillets using 4 x 35mm countersunk screws through a white snap cap base. Finish off with supplied snap caps. Refer to drawing in step 12 and diagram 12A or 12B depending on your state.

DIAGRAM 12A

QLD, NSW, WA only

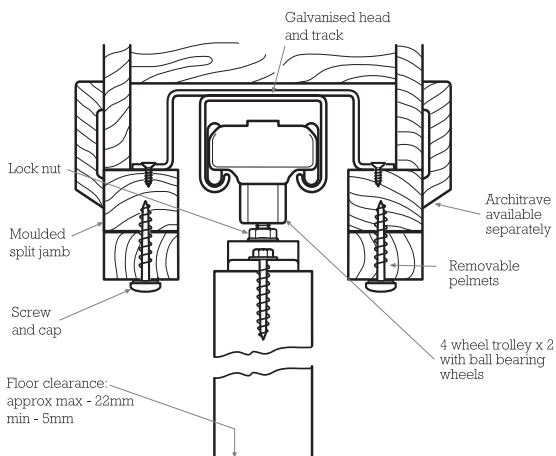
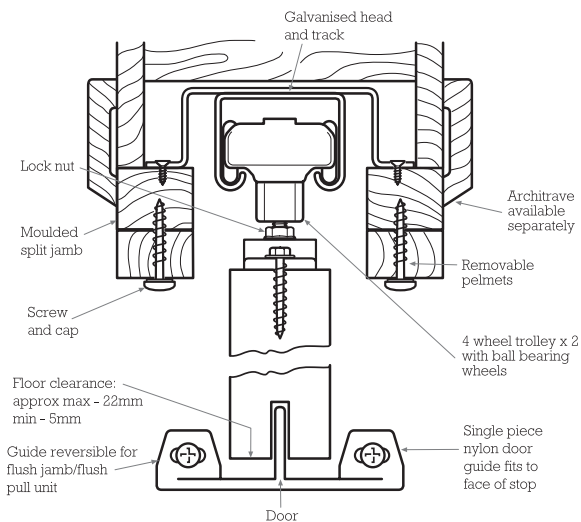


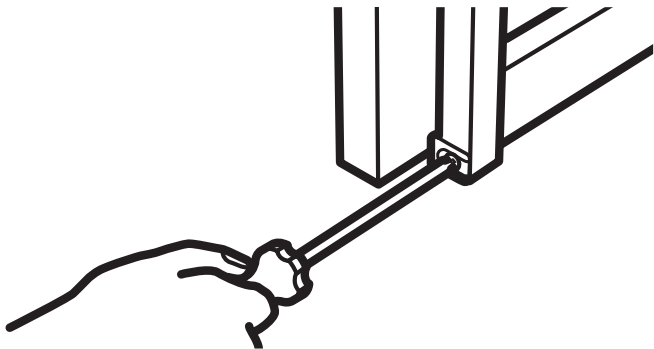
DIAGRAM 12B

SA, VIC only



STEP 13

QLD, NSW, WA only



Fix the two nylon finger guides to the base of the frame using the elongated opening (for subsequent adjustment). The flexible portion protrudes into the cavity. When the guides are positioned correctly, fasten with 2 x 15mm round head screws.

CONTACT

For further information Contact your Corinthian Door Reseller or Corinthian direct:

Sydney (02) 9673 7111

Melbourne (03) 9794 1122

Brisbane (07) 3715 0100

Adelaide (08) 8243 0888

Perth (08) 9455 1333

www.corinthian.com.au



CORINTHIAN DOORS

A JELD-WEN Company

www.corinthian.com.au

Corinthian Industries (Australia) Pty Limited is a subsidiary of Jeld-Wen Australia Pty Limited. Whilst the utmost care is taken to ensure the accuracy of the information contained herein, it is provided in the understanding that the company shall under no circumstances be liable for any injuries, expenses or other losses which may in any way be attributable to the use or adoption of such data and/or design details. All dimensions indicated are nominal only. Corinthian Doors reserves the right to alter or amend without prior notice data and design details specified herein. Photographs or illustrations may not exactly depict the design or specification and may vary to actual. Re-Order Code JWCNAT0432/0519. SEP19 FSA/COR0546-02