

# PLATINUM CAVITY UNITS



**PLATINUM 4000**  
(Standard)



**PLATINUM 6000**  
(Heavy duty)



**PLATINUM 9000**  
(Heavy duty floor to ceiling)

## INTRODUCTION

- Platinum Cavity is a steel cavity door unit that provides you with more strength, space and design choice. There is a wide selection of widths and heights across three unit configurations which can suit a range of applications, including floor to ceiling and tiled wet areas.



Rolled steel cross section  
(Galvanised angle shown)



Converter bumper stops  
(Required for flush pull applications only)

## KEY FEATURES

- Steel construction ensures resistance to warp/bow, white ant and rot.
- Rolled steel sections provide additional strength.
- Independently assessed to be fit-for-purpose for tiled wall applications.\*
- Ability to carry taller, wider and heavier doors.
- All Platinum Cavity units are supplied in a flush jamb configuration. To achieve a flush pull configuration, units can be retrofitted with two 60mm converter bumper stops.
- In flush jamb applications a Jexis press-release unit can be incorporated making it easier to retrieve the door from the cavity pocket.
- Designed for domestic and commercial applications.
- 5 year warranty – terms and conditions apply.

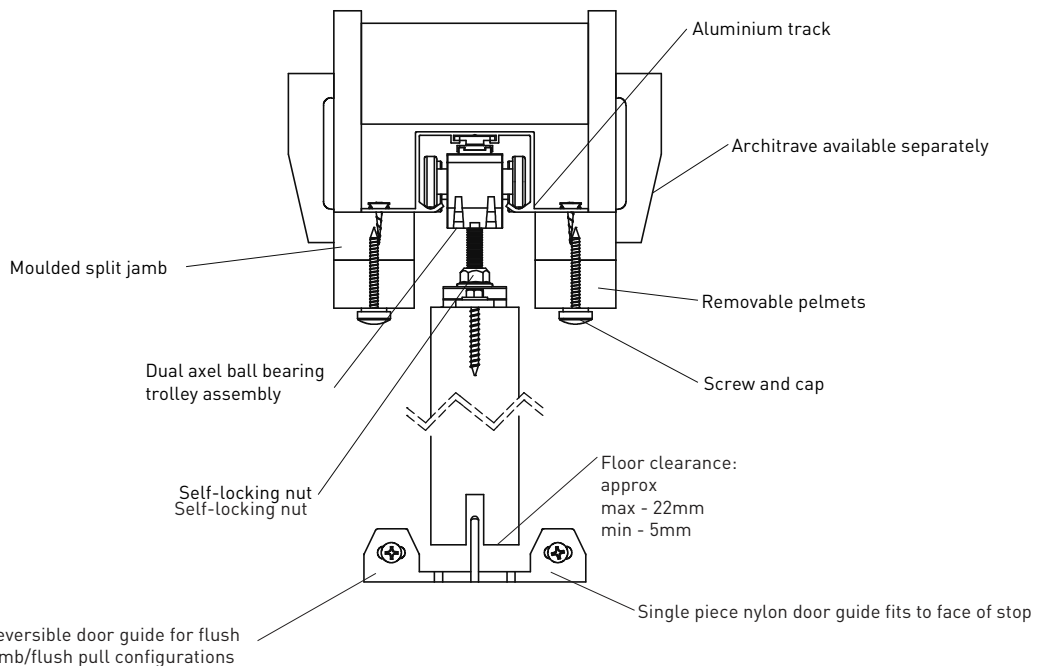
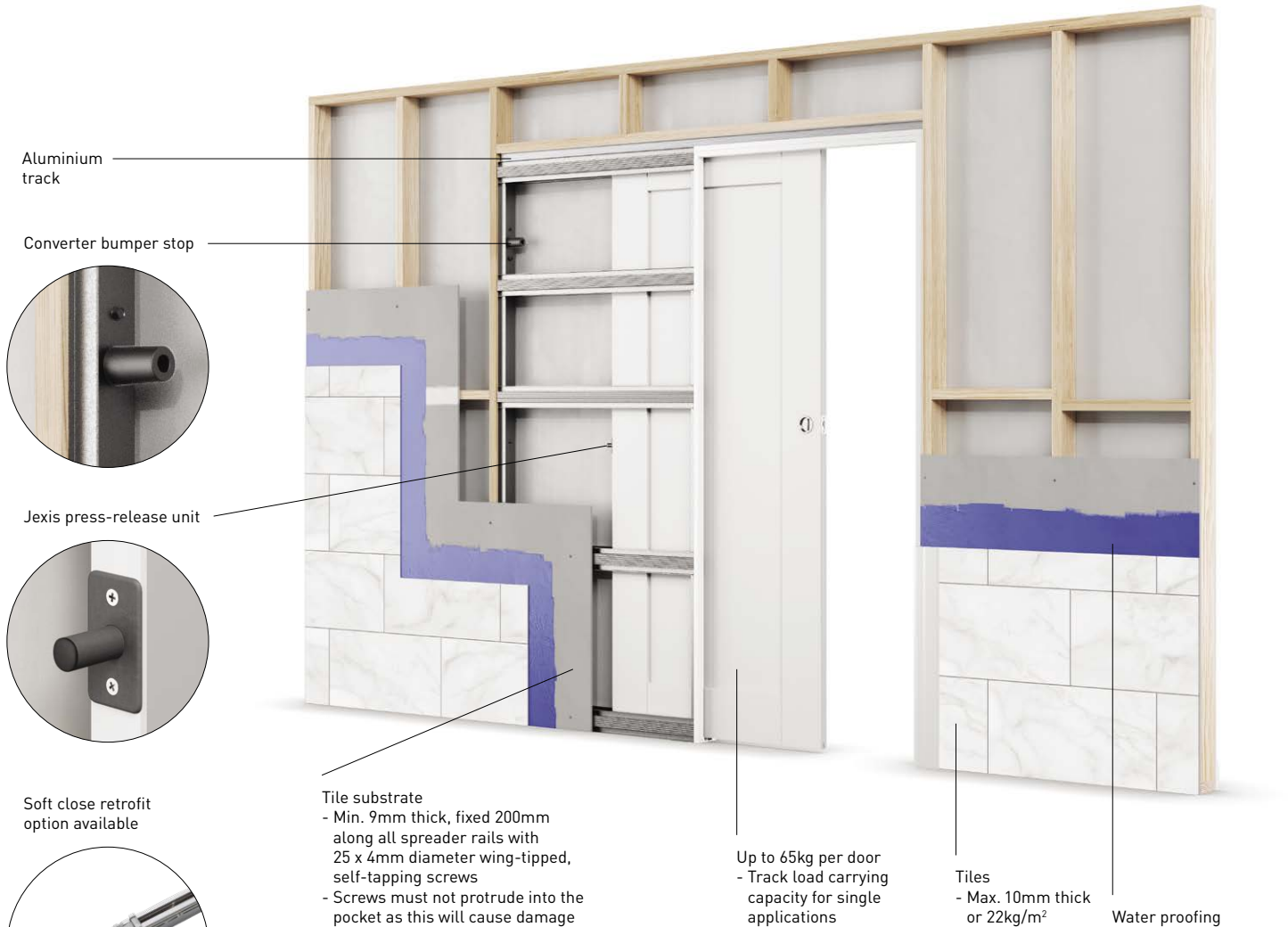


Jexis press-release unit  
(Sold separately - suitable for flush jamb applications only)

\*For further information, contact your Corinthian sales representative.

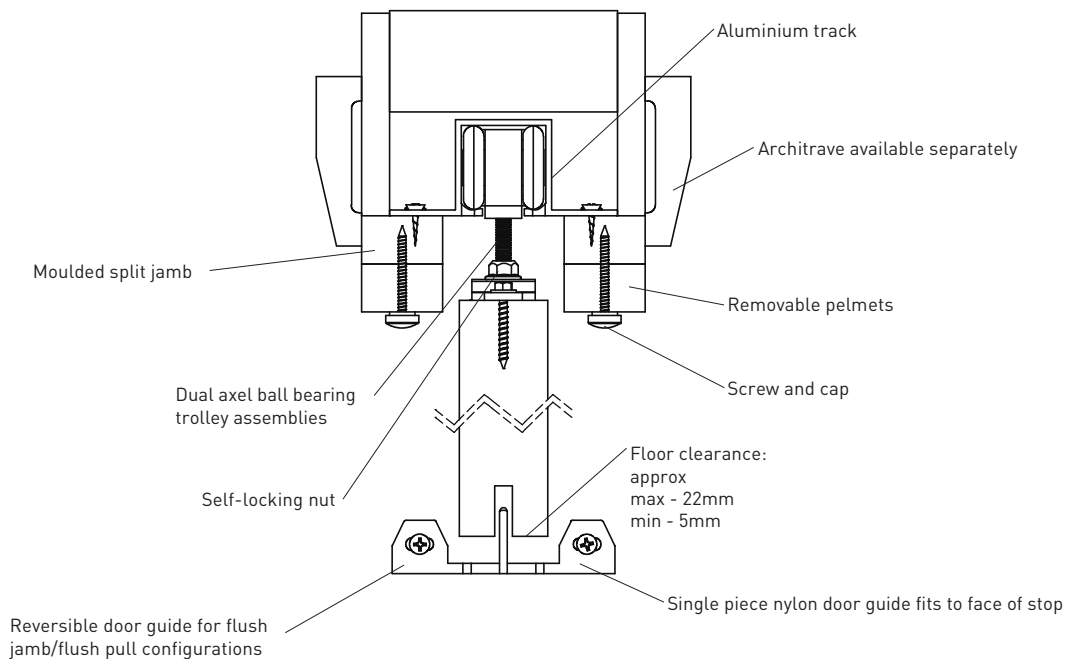
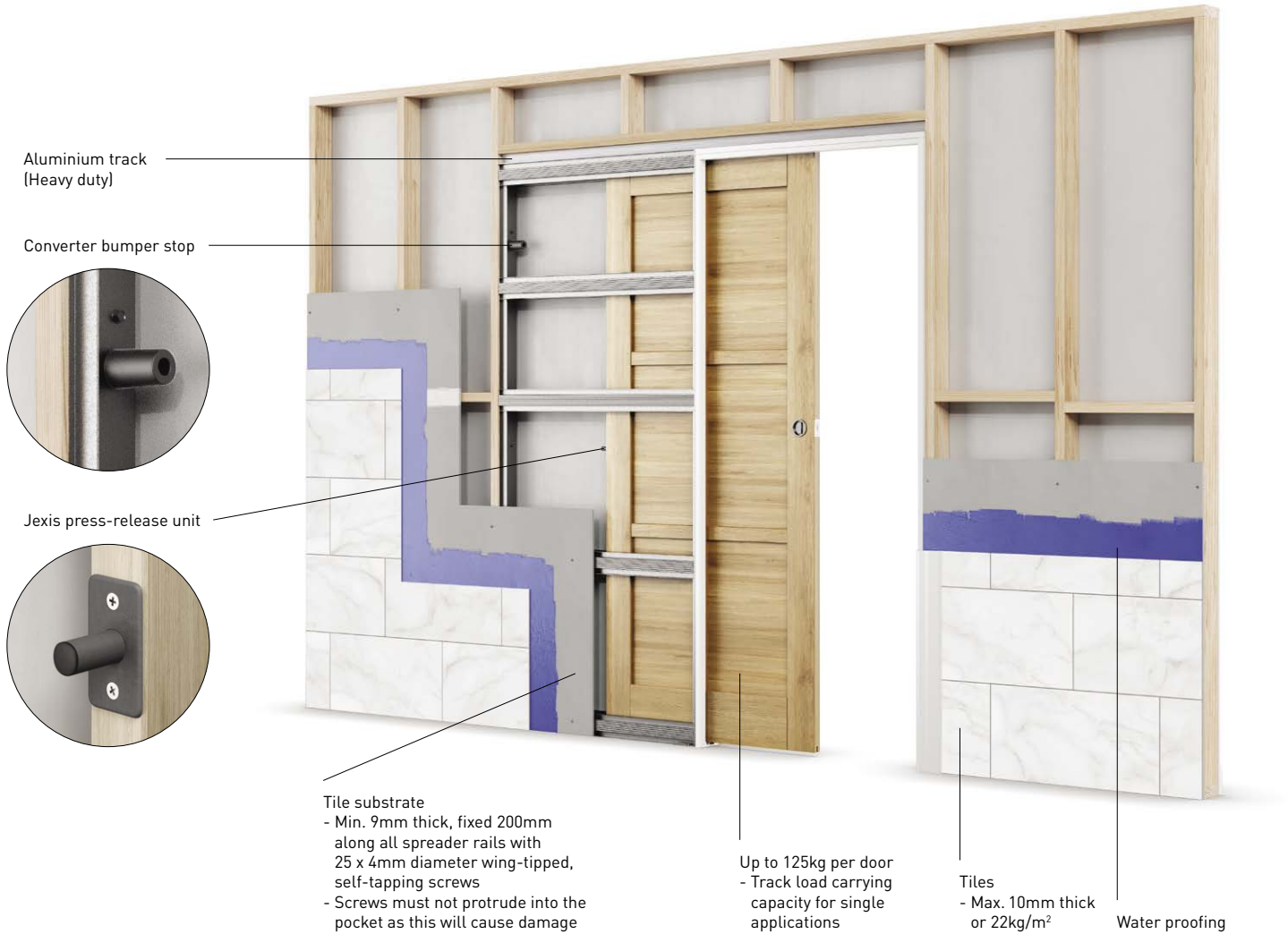
# PLATINUM CAVITY UNITS

## PLATINUM 4000 STANDARD



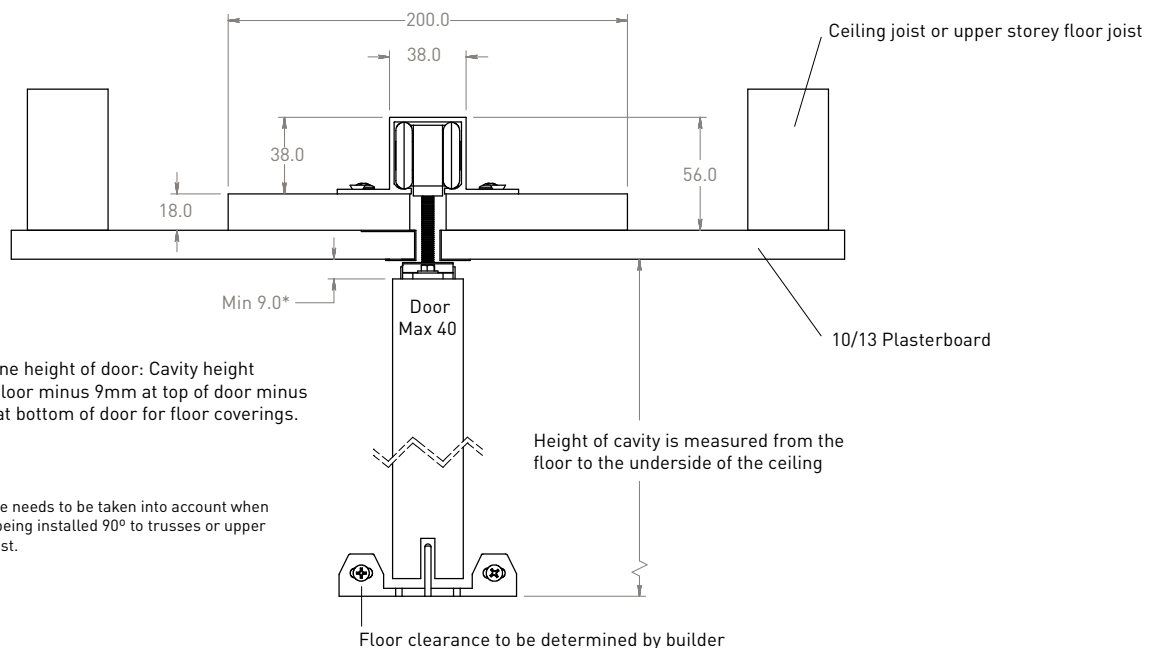
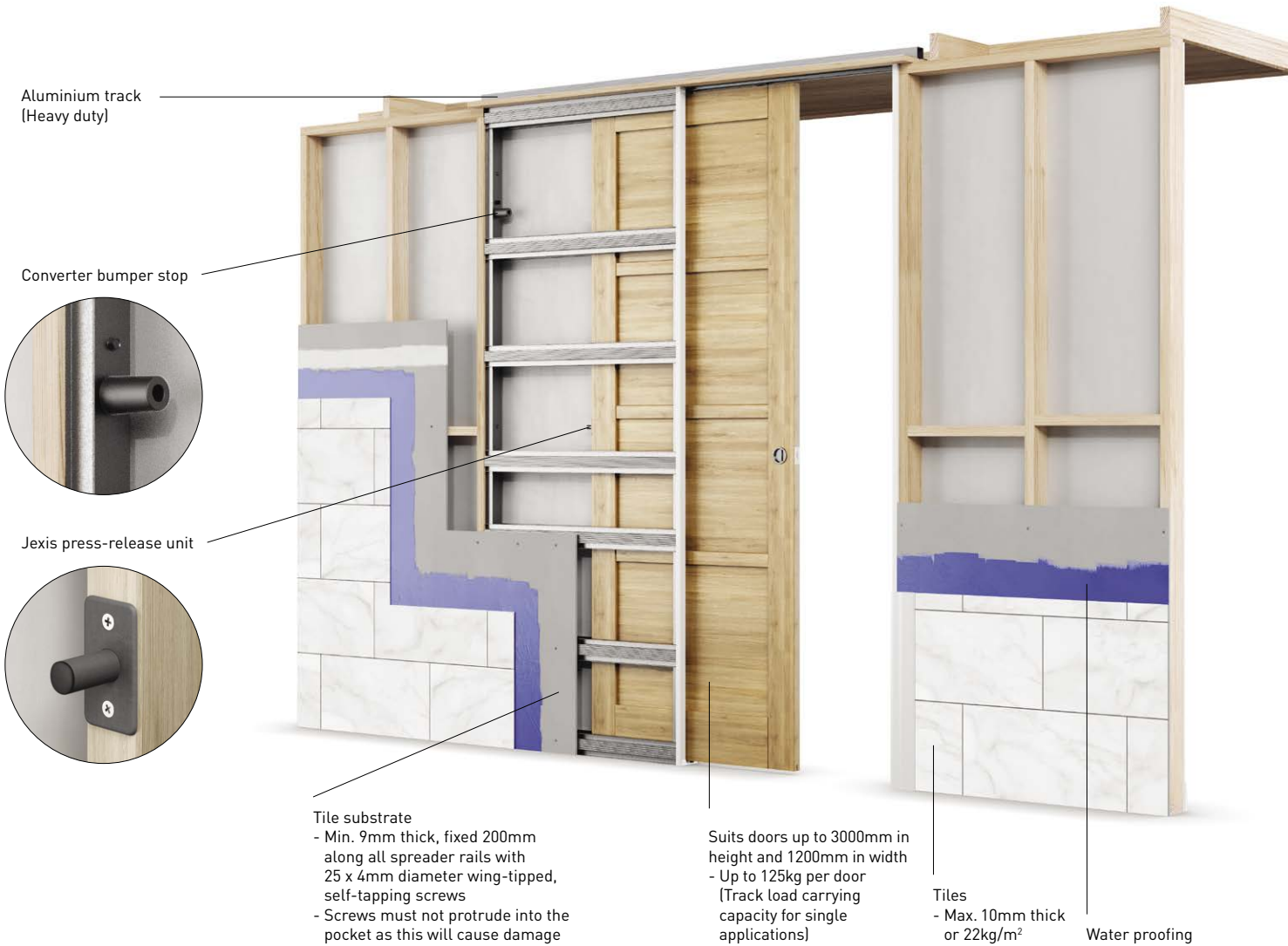
# PLATINUM CAVITY UNITS

## PLATINUM 6000 HEAVY DUTY



# PLATINUM CAVITY UNITS

## PLATINUM 9000 HEAVY DUTY FLOOR TO CEILING



# PLATINUM CAVITY UNITS

## SPECIFICATIONS

|                              | <b>PLATINUM 4000<br/>(STANDARD)</b>   | <b>PLATINUM 6000<br/>(HEAVY DUTY)</b>   | <b>PLATINUM 9000<br/>(HEAVY DUTY FLOOR TO CEILING)</b>  |
|------------------------------|---|---|---|
| Features                     | <ul style="list-style-type: none"> <li>- Jump proof twin roller track</li> <li>- Steel construction eliminates issues with white ants or moisture</li> <li>- Unique metal clinching assembly method and rolled steel sections provide additional strength</li> <li>- Single convertible unit - flush jamb converts into flush pull</li> <li>- Soft close retrofit option available</li> </ul>   | <ul style="list-style-type: none"> <li>- Jump proof twin roller track</li> <li>- Steel construction eliminates issues with white ants or moisture</li> <li>- Unique metal clinching assembly method and rolled steel sections provide additional strength</li> <li>- Single convertible unit - flush jamb converts into flush pull</li> </ul>   | <ul style="list-style-type: none"> <li>- Custom made to suit specific ceiling heights</li> <li>- Jump proof twin roller track</li> <li>- Steel construction eliminates issues with white ants or moisture</li> <li>- Unique metal clinching assembly method and rolled steel sections provide additional strength</li> <li>- Single convertible unit - flush jamb converts into flush pull</li> </ul>   |
| Roller system                | Dual axle ball bearings for smooth running.   | Dual axle ball bearings for smooth running.   | Dual axle ball bearings for smooth running.   |
| Tracks                       | - Standard track (Aluminium)  | - Heavy duty track (Aluminium)  | - Heavy duty track (Aluminium)  |
| Track load carrying capacity | Single applications<br>- Up to 65kg per door<br>Double applications<br>- Up to 45kg per door  | Single applications<br>- Up to 125kg per door<br>Double applications<br>- Up to 85kg per door   | Single applications<br>- Up to 125kg per door<br>Double applications<br>- Up to 85kg per door   |
| Cavity inclusions            | <ul style="list-style-type: none"> <li>- 1 x cavity pocket</li> <li>- 1 x head track assembly</li> <li>- 2 x removable fillets</li> <li>- 1 x closing jamb</li> <li>- 1 x hardware pack:                             <ul style="list-style-type: none"> <li>- 1 x trolley kit</li> <li>- 1 x screw pack</li> <li>- 1 x glide guide kit<sup>^</sup></li> </ul> </li> <li>- 2 x converter bumper stops (Converts flush jamb cavity unit into a flush pull cavity unit configuration)</li> </ul> | <ul style="list-style-type: none"> <li>- 1 x cavity pocket</li> <li>- 1 x head track assembly</li> <li>- 2 x removable fillets</li> <li>- 1 x closing jamb</li> <li>- 1 x hardware pack:                             <ul style="list-style-type: none"> <li>- 1 x trolley kit</li> <li>- 1 x screw pack</li> <li>- 1 x glide guide kit<sup>^</sup></li> </ul> </li> <li>- 2 x converter bumper stops (Converts flush jamb cavity unit into a flush pull cavity unit configuration)</li> </ul> | <ul style="list-style-type: none"> <li>- 1 x cavity pocket</li> <li>- 1 x head track assembly</li> <li>- 2 x removable fillets</li> <li>- 1 x closing jamb</li> <li>- 1 x hardware pack:                             <ul style="list-style-type: none"> <li>- 1 x trolley kit</li> <li>- 1 x screw pack</li> <li>- 1 x glide guide kit<sup>^</sup></li> </ul> </li> <li>- 2 x converter bumper stops (Converts flush jamb cavity unit into a flush pull cavity unit configuration)</li> </ul> |
| Installation                 | When installing in wet areas make allowance for tiles or other floor coverings. Cavity units are not load bearing. Refer to - Corinthian's Cavity Installation Instructions for more information. Failure to adhere to these instructions will void warranty.   |   |   |
| Warranty                     | 5 Years - Terms and conditions apply - refer to Warranty and Terms and Conditions of Sale.  |   |   |
| Special sizes                | Prices and lead-times upon application. Cavities will be Made to Order. For further information contact Corinthian Customer Service.  |   |   |
| Made To Order (MTO)          | All Cavities are Made To Order (MTO). MTO cavities may only be cancelled on day of ordering.  |   |   |
| Note                         | All sizes are nominal and in millimetres.   |   |   |

<sup>^</sup>QLD, NSW & WA only

## HARDWARE PACK INCLUSIONS



## SPECIFICATIONS

### STUD OPENING HEIGHTS & WIDTHS

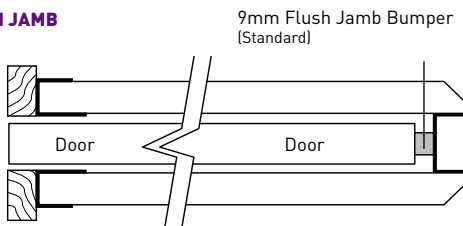
| DOOR HEIGHT | OPENING HEIGHT (MM) |               |
|-------------|---------------------|---------------|
|             | PLATINUM 4000       | PLATINUM 6000 |
| 2040        | 2130                | 2140          |
| 2340        | 2430                | 2440          |

| DOOR WIDTH | OPENING WIDTH (MM) |        |
|------------|--------------------|--------|
|            | SINGLE             | DOUBLE |
| 620        | 1300               | 2550   |
| 720        | 1500               | 2950   |
| 770        | 1600               | 3150   |
| 820        | 1700               | 3350   |
| 870        | 1800               | 3550   |
| 920        | 1900               | 3750   |
| 1020       | 2100               | 4150*  |
| 1200       | 2460*              | 4870*  |

\*Only available in Platinum 6000. Platinum 9000 units are custom made up to 3000mm in height and 1200mm in width.

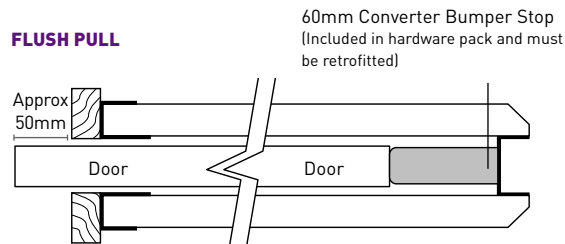
### SINGLE UNIT - CONVERTS FLUSH JAMB TO FLUSH PULL

#### FLUSH JAMB



- All Platinum Cavity units are supplied in a flush jamb configuration.
- By installing two 60mm converter bumper stops to the unit's back post prior to installation, the unit can be simply converted into a flush pull configuration.
- 2 x 60mm converter bumper stops are included in all Platinum Cavity unit hardware packs.

#### FLUSH PULL



\*Platinum Cavity with door in fully open position.