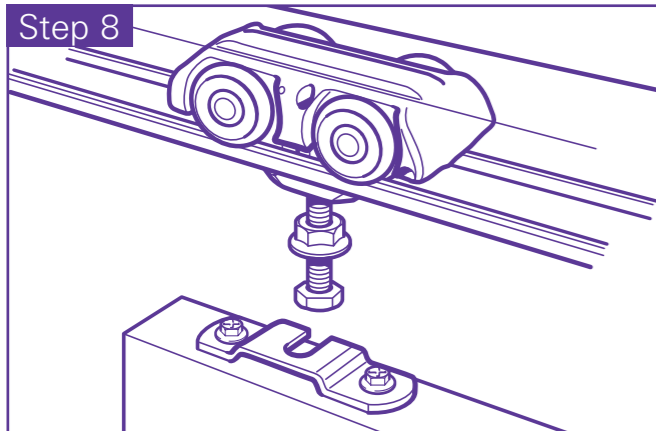


## Installation continued

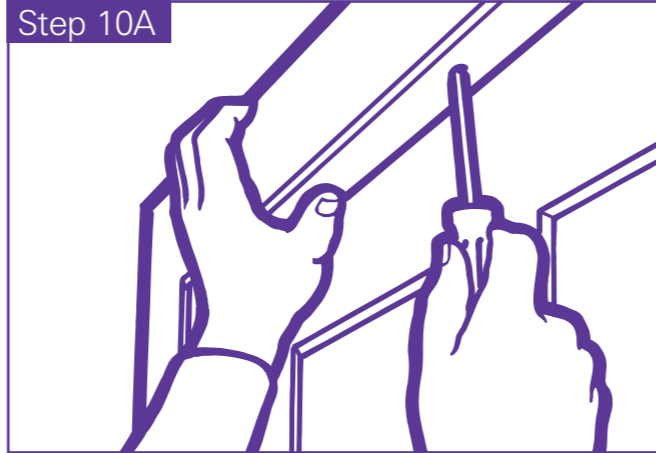


**Step 7** Qld, NSW, WA only  
 Step 7. Cut the 2 glide guide strips to suit the door width. Tack both strips to the bottom of the door using 5 panel pins with each glide guide strip.

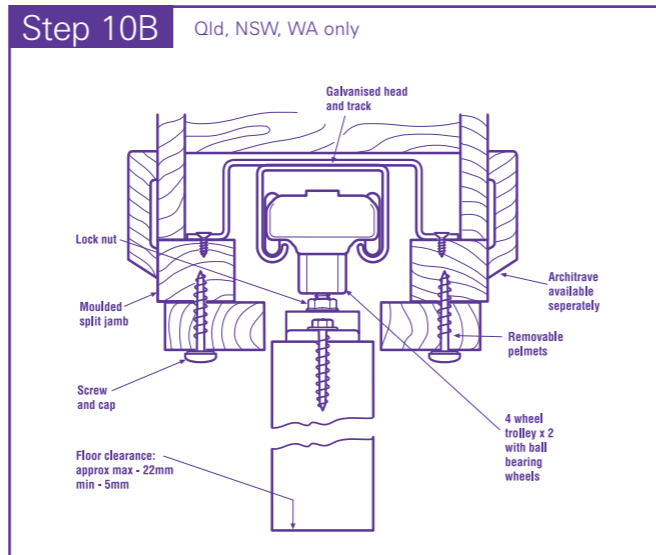


**Step 8**  
 Step 8. With the door in the opening, lift to locate each door support bracket onto the carriage assembly thread, ensuring the self locking nuts are above the bracket.

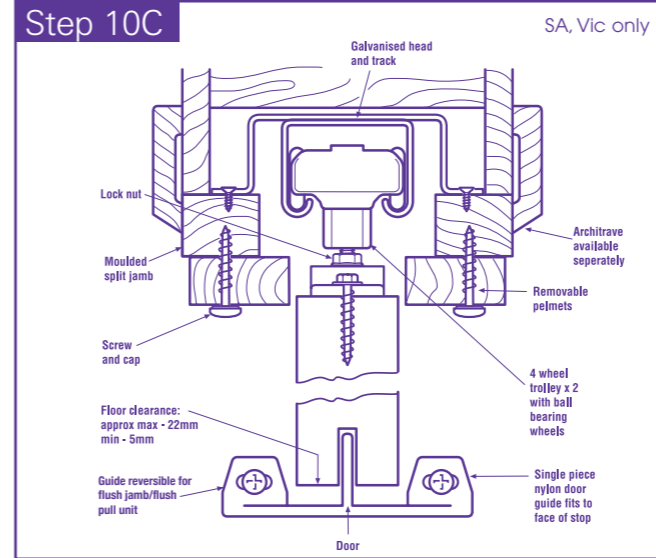
**Step 9**  
 Step 9. Use the spanner provided to raise and level the door to the required height and to plumb against the closing jamb. Tighten the lock nuts when the door is correctly positioned. Do not discard the Spanner . Attach it to the spanner clip for future use.



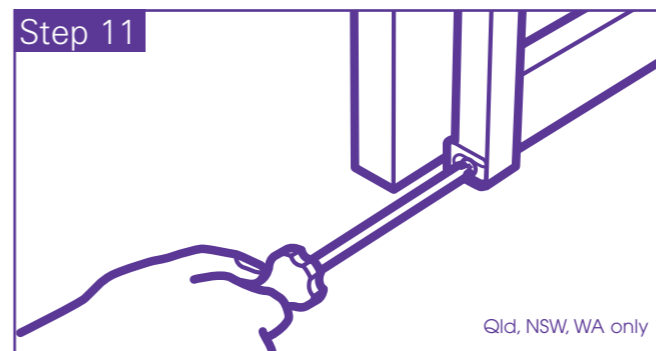
**Step 10A**  
 Step 10A. Screw in place the removable fillet using 4 x 35mm screws through a white snap cap base. Finish off with supplied snap caps. Refer to Steps 10A, 10B and 10C.



**Step 10B** Qld, NSW, WA only



**Step 10C** SA, Vic only



**Step 11**  
 Step 11. Fix the two nylon finger guides to the base of the frame using the elongated opening (for subsequent adjustment). The flexible portion protrudes into the cavity. When the guides are positioned correctly, fasten with a 15mm round head fixing screw.

**Showrooms:**  
**Sydney** (02) 9673 7100  
**Melbourne** (03) 9794 1122  
**Brisbane** (07) 3715 0100

**Adelaide** (08) 8243 0888  
**Perth** (08) 9455 1333  
**Website** www.corinthian.com.au



© Copyright reserved 11/11/99, Corinthian Doors NATIONAL Revised 27/07/2016

## Cavity Door Unit Installation instructions



Slimline 3000

- ▶ doors up to 65kg
- ▶ precision bearings
- ▶ quiet operation
- ▶ jump proof track
- ▶ standard architrave height
- ▶ five year guarantee

Thank you for purchasing the Slimline 3000 Cavity Door Unit. Please follow these instructions carefully. Proper installation and maintenance will bring you years of trouble-free use. Care should be taken when installing the cavity unit into wall tiled areas. Please consult with the substrate/tile manufacturer as to their recommended fixing and tiling methods in accordance with the relevant standards.

## Contents:

Check that you have all the contents and tools to install your Slimline 3000.

### Contents Include:

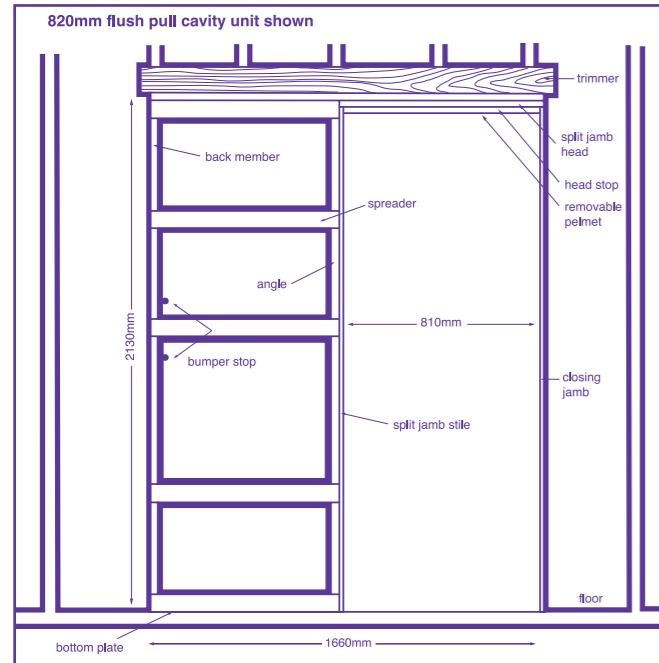
- 1 x cavity pocket
- 1 x head track assembly
- 2 x removable fillets
- + 1 x glide guide kit
- 1 x trolley kit
- x 1 x closing jamb

### Trolley kit Includes:

- 2 x carriage assemblies
- 2 x door support brackets
- 1 x reversible door guide
- 1 x spanner clip
- 1 x spanner
- 2 x 16mm pan head screw
- 6 x 12mm countersunk screws
- 1 x 15mm countersunk screw
- 4 x 35mm countersunk screws
- 4 x 30mm hex head screws
- 1 x 25mm masonry nail
- 4 x complete snap caps

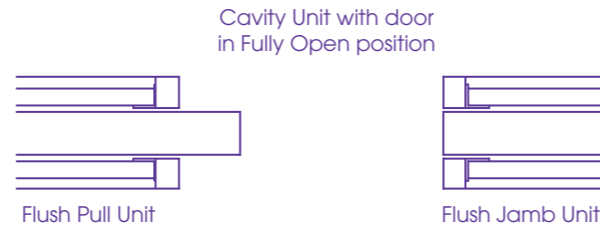
### + Glide guide kit Includes:

- 2 x glide guide strips
- 2 x nylon finger guides
- 2 x 15mm round head screws
- 10 x panel pins



x Vic, SA, WA only  
+ WA, NSW, Qld only

2



## Please Note:

Flush Jamb units manufactured in Vic & WA require a stud opening width as a Flush Pull unit + 100mm for single units and 200mm for double units.

Some sizes/types may not be available in all States.

Units also available to suit 2340 high door. Stud opening 2430 high.

## Rough stud opening - Flush Pull Unit

Door Size	single opening		double opening	
	height	width	height	width
2040 x 620	2130	x 1260	2130	x 2470
2040 x 720	2130	x 1460	2130	x 2870
2040 x 770	2130	x 1560	2130	x 3070
2040 x 820	2130	x 1660	2130	x 3270
2040 x 870	2130	x 1760	2130	x 3470
2040 x 920	2130	x 1860	2130	x 3670
2040 x 1020	2130	x 2060	2130	x 4070
2040 x 1070	2130	x 2160	2130	x 4270
2040 x 1220	2130	x 2460	2130	x 4870

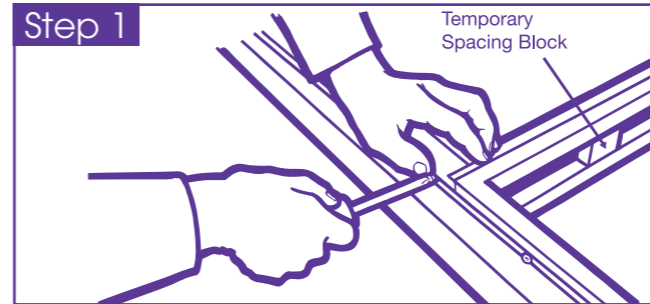
## Rough stud opening - Flush Jamb Unit

Door Size	single opening		double opening	
	height	width	height	width
2040 x 620	2130	x 1300	2130	x 2550
2040 x 720	2130	x 1500	2130	x 2950
2040 x 770	2130	x 1600	2130	x 3150
2040 x 820	2130	x 1700	2130	x 3350
2040 x 870	2130	x 1800	2130	x 3550
2040 x 920	2130	x 1900	2130	x 3750
2040 x 1020	2130	x 2100	2130	x 4150
2040 x 1070	2130	x 2200	2130	x 4350
2040 x 1220	2130	x 2500	2130	x 4950

3

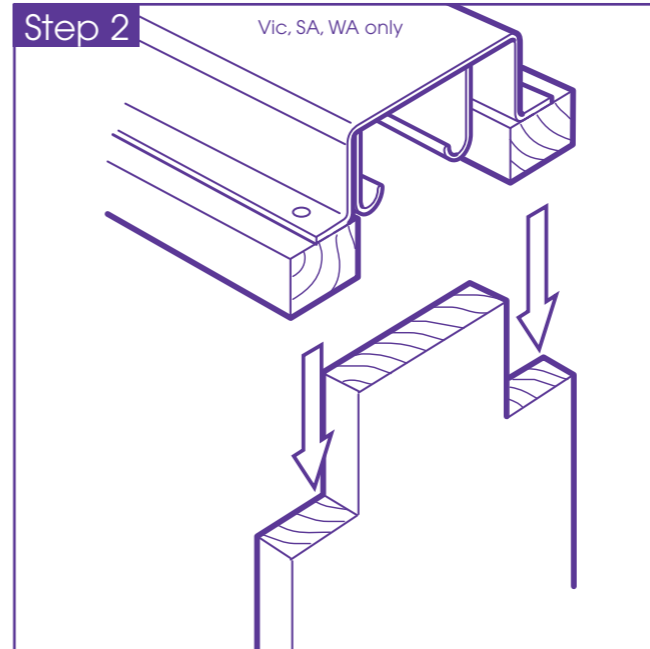
# Installing your new Slimline 3000

## Step 1



Step 1. Fit and screw the head track assembly to the cavity pocket using the 6 x 12mm countersunk screws. Do not remove the temporary spacing blocks until the wall sheeting has been completed.

## Step 2

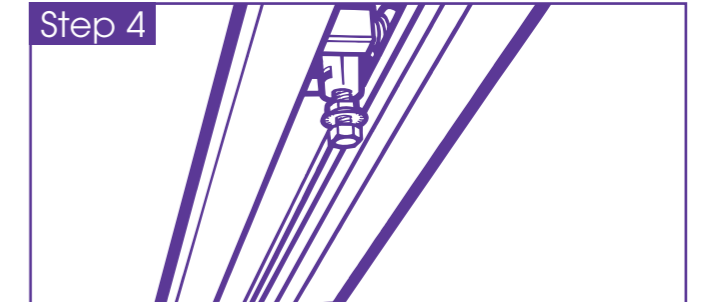


Step 2. Screw/nail the closing jamb to the head section, fixing through head timber into closing jamb stile.

4

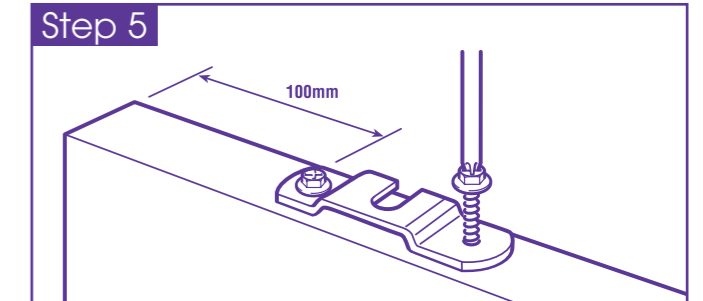
Step 3. Place the assembled unit in position in the opening. Plumb and fasten to the brick/stud. Fasten the base to the floor using the concrete nail provided. NSW, Qld only. Fasten the head track assembly to the top of the opening using the 1 x 16mm pan head screw.

## Step 4



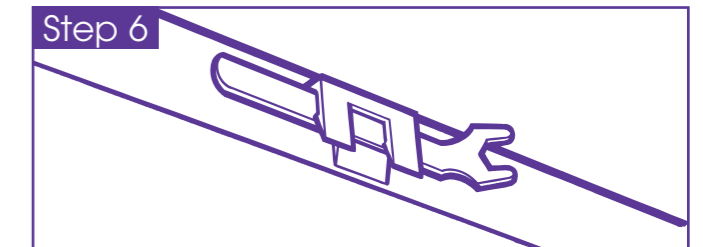
Step 4. Place both carriage assemblies in the track.

## Step 5



Step 5. Attach the door support brackets to the top of the door using the 4 x 30mm hex head screws, 100mm in from each side.

## Step 6



Step 6. Attach the spanner storage clip to the top of the door using the 1 x 15mm countersunk screw.

5