

INSTALLATION INSTRUCTIONS



IMPORTANT INFORMATION

The Soft Closer Kit is compatible with Corinthian Platinum 4000 cavity units only.

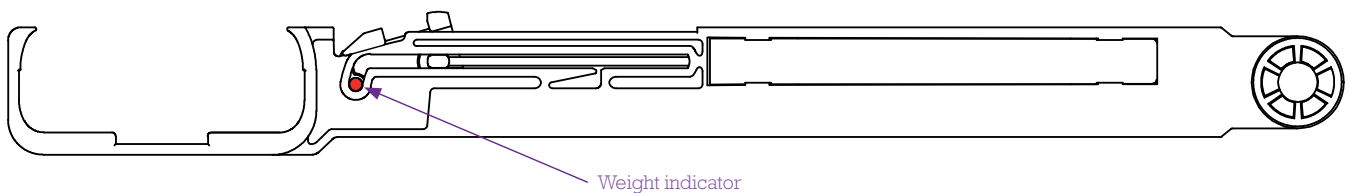
While the installation method across all door weights is the same, it is important that you fit a Soft Closer Kit with the correct door load carrying capacity to ensure correct function.

The door load carrying capacity of your Soft Closer Kit can be identified by the colour coded weight indicator as shown in the diagram below.

- 10-19kg Door Weight - Grey Weight Indicator
- 20-39kg Door Weight - Green Weight Indicator
- 40-65kg Door Weight - Red Weight Indicator

ITEMS REQUIRED

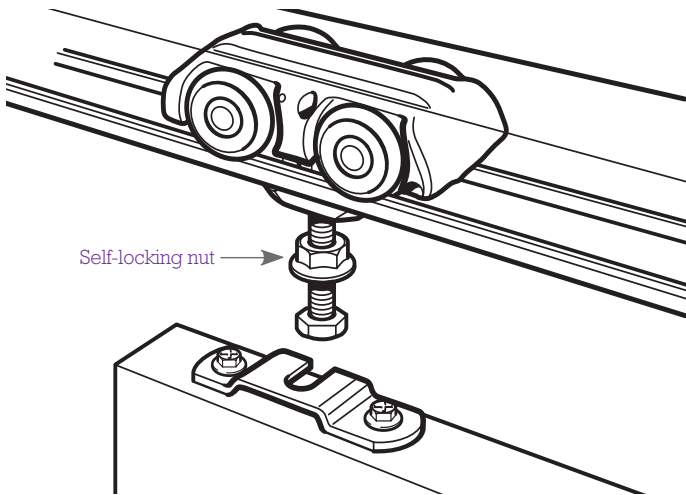
- 1 x Soft Closer Kit
- 1 x soft closer
- 1 x soft closer trigger plate
- 2 x M4 grub screws
- 1 x allen key



INSTALLATION INSTRUCTIONS

STEP 1 START HERE FOR RETROFIT ONLY

If retrofitting the Soft Closer Kit to a Platinum 4000 cavity which is already installed within an opening, you will be required to partially remove the door prior to commencing the installation of the Soft Closer Kit.



To unscrew the door from the trolley closest to the closing jamb, start by removing the removable fillets.

The trolley closest to the closing jamb should now be visible.

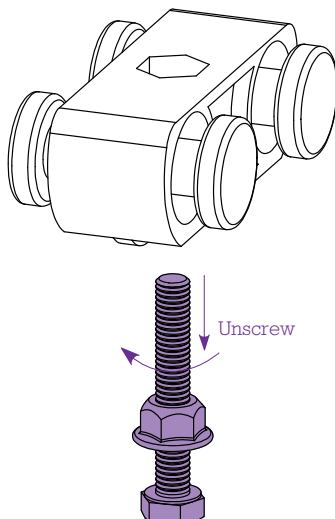
For this trolley only, loosen the self-locking nut which secures the door to the trolley.

The door will come loose from the trolley. Take care to secure the door so that it does not cause injury.

Remove this trolley from the head track and set to one side.

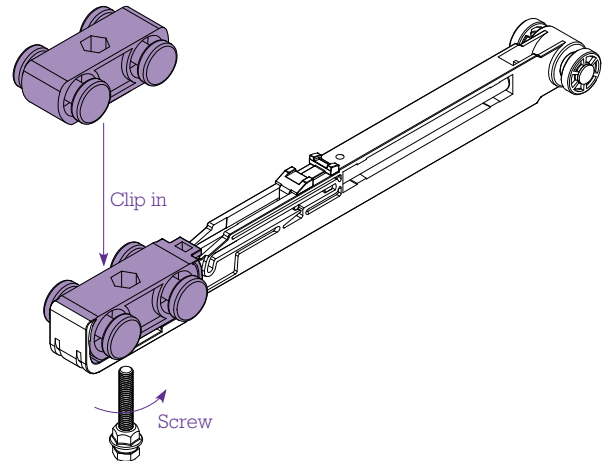
STEP 2 START HERE FOR NEW CAVITY INSTALLATIONS

Using the trolley, which was removed in Step 1, unscrew the bolt from the trolley.



STEP 3

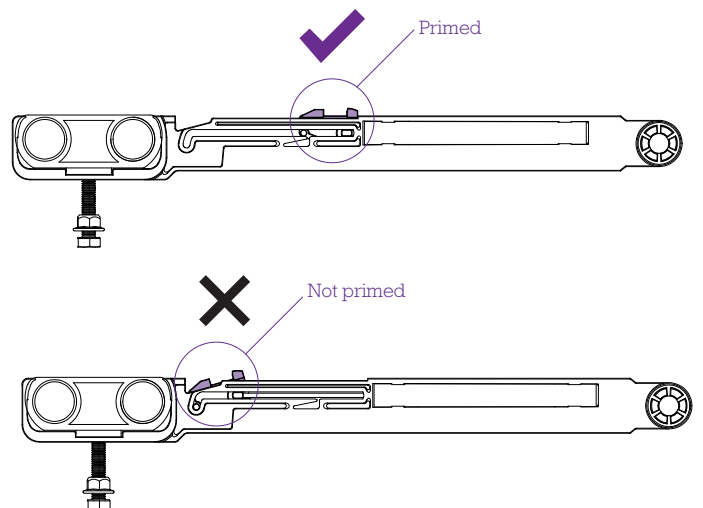
Take the trolley, without bolt, and clip into Soft Closer.



Take the bolt removed in step 2, screw the bolt through the Soft Closer and the trolley so that the door can be rehung.

STEP 4 IMPORTANT

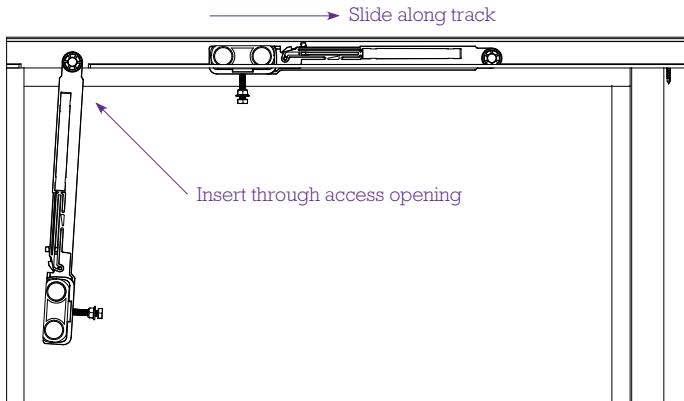
Before fitting the Soft Closer into the track make sure the closing catch has been 'PRIMED' as shown below. If the closing catch is 'NOT PRIMED', it will not function as intended and will need to be removed and primed correctly.



INSTALLATION INSTRUCTIONS

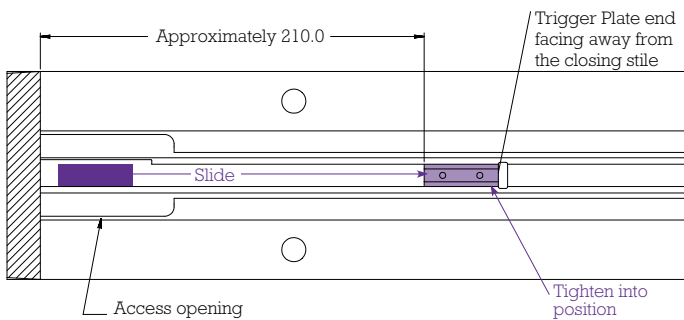
STEP 5

Take the Soft Closer, with trolley and bolt fitted, and insert through access opening.



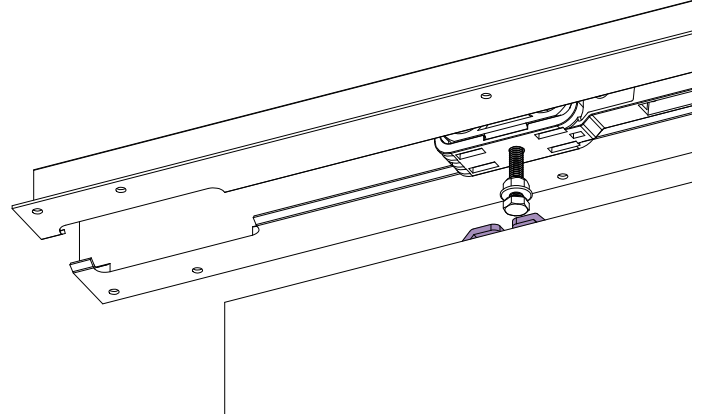
STEP 6

With the Soft Close Trigger Plate facing away from the closing stile, place it into the head track and slide it along the track to approx. 210mm. Secure the Soft Close Trigger Plate into position by tightening 2 x M4 grub screws.



STEP 7

Rehang the door on the trolley by lifting the door to locate the door support bracket onto the trolley assembly thread. Ensure the self-locking nut is above the bracket.

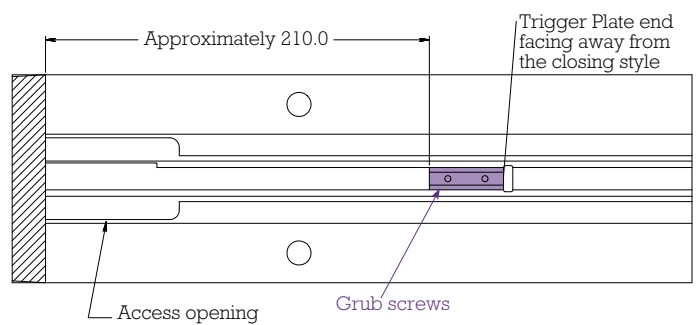


STEP 8

Use the 1 x spanner provided to raise and level the door to the required height and to plumb against the closing jamb. Tighten the lock nuts when the door is correctly positioned. Do not discard the spanner. Attach it to the spanner clip for future use.

STEP 9

If the door is not closing exactly as required, loosen the M4 grub screws with the allen key. The Soft Close Trigger Plate can then be adjusted into position to achieve the door closing approximately 1mm off the face of the closing jamb.



FAILURE TO ADHERE TO INSTALLATION INSTRUCTIONS WILL VOID WARRANTY.
For full Terms and Condition of Warranty visit www.corinthian.com.au/about/warranty

Whilst the utmost care is taken to ensure the accuracy of the information contained herein, it is provided in the understanding that the company shall under no circumstances be liable for any injuries, expenses or other losses which may in any way be attributable to the use or adoption of such data and/or design details. All dimensions indicated are nominal only. Corinthian Doors reserves the right to alter or amend without prior notice data and design details specified herein. Photographs or illustrations may not exactly depict the design or specification and may vary to actual. Doors and products are supplied unfinished unless otherwise specified. www.corinthian.com.au CORCNAT0627/224.