

## INSTALLATION INSTRUCTIONS



### IMPORTANT INFORMATION

Single cavity units have a door weight limit of 65kg. Double cavity units have a door weight limit of 45kg each door. Cavity units are not load bearing. When installing double Cavity units it is important that the track is fixed to a structural member. Screw through the centre of track. Only use button head screws (not provided in fittings).

Care should be taken when installing the cavity unit into wall tiled areas. Please consult with the tile manufacturer as to their recommended fixing and tiling methods in accordance with the relevant standards.

**Do not remove the temporary Cavity Pocket throat spacers in the opening of the cavity throat until the wall sheeting has been completed. Failure to adhere will void warranty.**

### ITEMS REQUIRED

- 1 x cavity pocket
- 1 x head track assembly
- 2 x removable fillets
- 1 x glide guide kit\*
- 1 x trolley kit
- 1 x closing jamb

#### Glide guide kit contents\*

- 2 x glide guide strips
- 2 x nylon finger guides
- 2 x 15mm round head screws
- 10 x panel pins

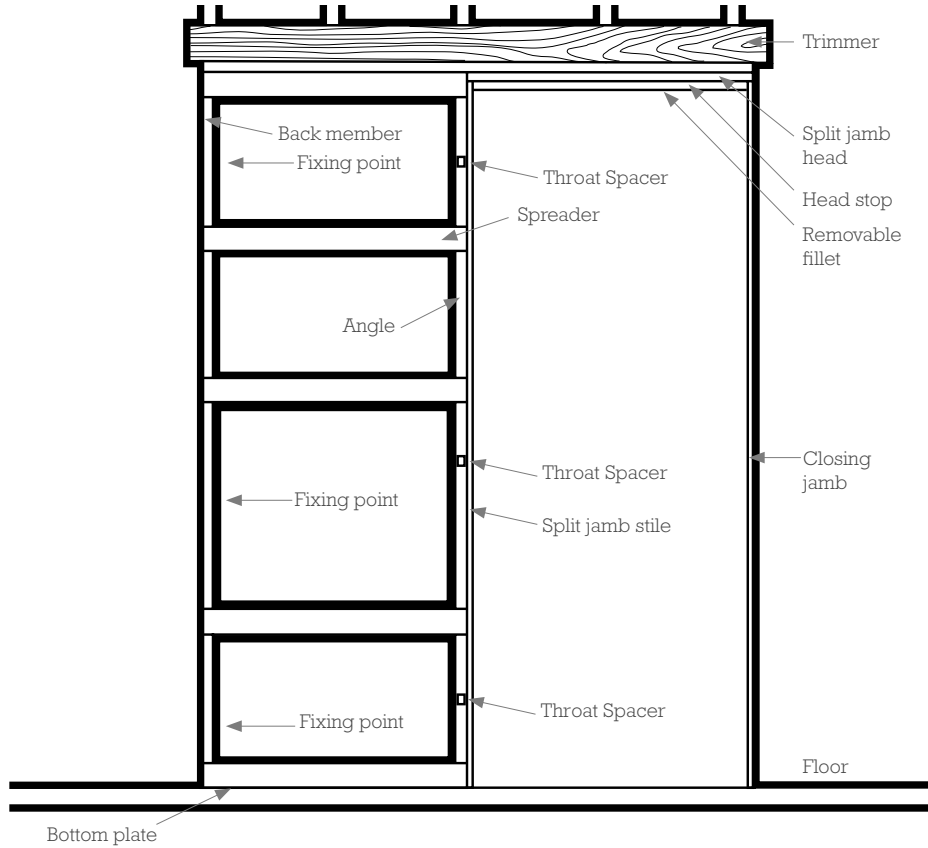
\* WA, NSW, QLD only.

#### Trolley kit contents

- 2 x trolley assemblies
- 2 x door support brackets
- 1 x reversible door guide\*
- 2 x 10mm bumper stops
- 1 x 60mm bumper stop
- 1 x spanner
- 1 x spanner clip
- 2 x 19mm pan head screw
- 1 x 15mm countersunk screw
- 4 x 35mm countersunk screws
- 4 x 30mm hex head screws
- 1 x 25mm concrete nail
- 4 x complete snap caps
- 8 x 18mm metal thread button head screws
- 3 x 65mm metal thread hex head screws
- 1 x 50mm hex head screw
- 2 x 25mm pan head screws

## INSTALLATION INSTRUCTIONS

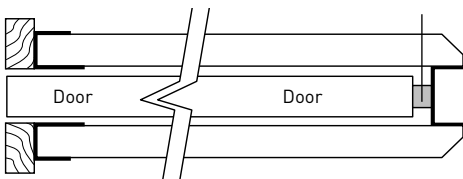
### PLATINUM 4000 CAVITY ELEVATION



### FLUSH JAMB AND FLUSH PULL INSTALLATION OPTIONS

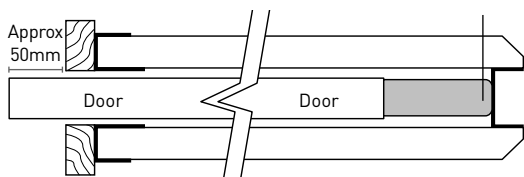
#### Flush Jamb

10mm Bumper Stops – Fit to Door Edge



#### Flush Pull

60mm Bumper Stop – Fit to Door Edge



A single Platinum Cavity Unit allows you to achieve both flush jamb or flush pull configurations.

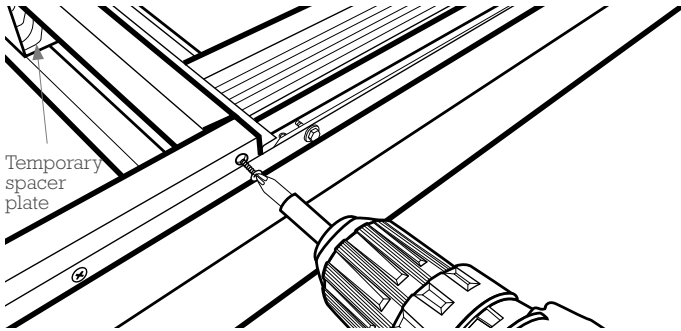
- 2 x 10mm bumper stops are used to achieve a flush jamb configuration. 1 x 60mm bumper stop to achieve a flush pull configuration.
- All bumper stops and required fixings are included in the Platinum Cavity hardware pack as standard.
- In both flush jamb and flush pull configurations, bumper stops are installed to the back edge of the door prior to installing the door within the cavity.
- Cavity sizes and models may not be available in some states.

Cavity unit depicted with door in the fully open position.

## INSTALLATION INSTRUCTIONS

### STEP 1

Fit and screw the head track assembly to the cavity pocket using the 8 x 18mm metal thread button head screws. **Do not remove the temporary throat spacers in the opening of the cavity throat until the wall sheeting has been completed. Failure to adhere will void warranty.**

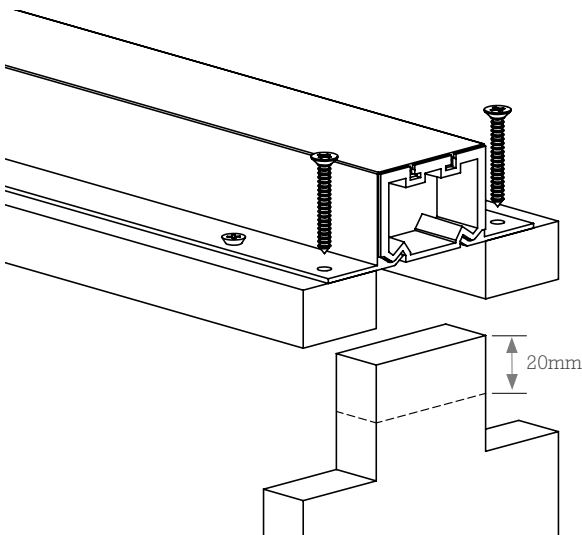


### STEP 2

Using a 50mm screw/nail (not provided in fittings) secure the split jamb head to the split jamb stile (ensure this is predrilled prior). Turn the cavity pocket over and repeat Step 2.

### STEP 3

The closing stile is a universal stile for all cavities and requires 20mm to be trimmed from the top to fit the Platinum 4000 head section. Screw/nail (not provided with fittings) the closing jamb to the head section fixing through the head track and timber into the closing jamb stile. **Note: If a double door unit is being installed a closing jamb is not supplied. For Double Door installations refer to Step 13 for instructions on how to install the double door stop.**



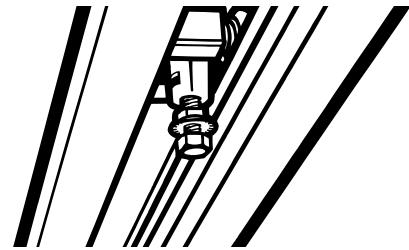
### STEP 4

Place the assembled unit in position in the opening. Plumb and fasten to the brick/stud. It is important to pack and fix the back member of the cavity pocket during installation. The packing should align as close as possible to where the bumper stops are fitted to the door and during operation will impact the back member. A minimum of three fixings is required - see Platinum 4000 Cavity Elevation. Use the 3 x 65mm metal thread hex head screws. **Do not remove the temporary throat spacers in the opening of the cavity throat until the wall sheeting has been completed. Failure to adhere will void warranty.** Fasten the base to the floor using the 1 x concrete nail or alternative fixing method.

### STEP 5

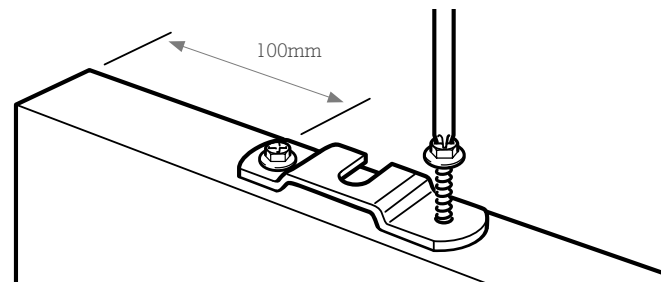
**Note: If installing a Soft Closer Kit refer to the Platinum 4000 Soft Closer Kit installation instructions for step 5.**

Place the 2 x carriage assemblies in the track.



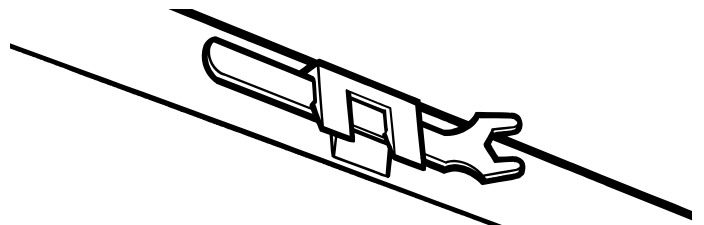
### STEP 6

Attach the 2 x door support brackets to the top of the door using the 4 x 30mm hex head screws, 100mm in from each side.



### STEP 7

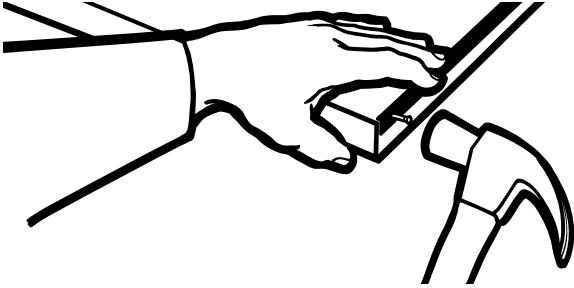
Attach the 1 x spanner storage clip to the top of the door using the 1 x 15mm countersunk screw.



## INSTALLATION INSTRUCTIONS

### STEP 8A (QLD, NSW, WA only)

Cut the 2 x glide guide strips to suit the door width. Tack both strips to the bottom of the door using 5 x panel pins with each glide guide strip (total 10 x panel pins).

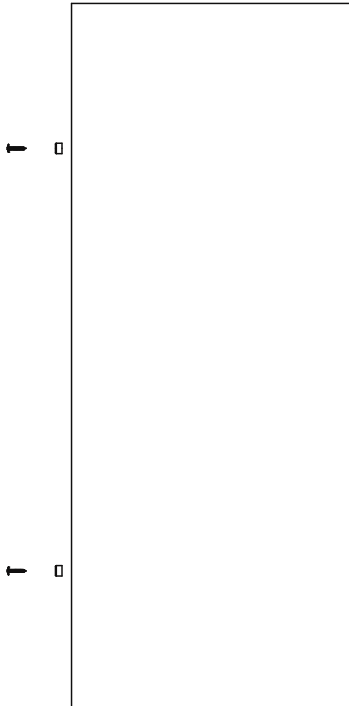


### STEP 8B

Fit the door bumper stops to the back of the door in the locations shown:

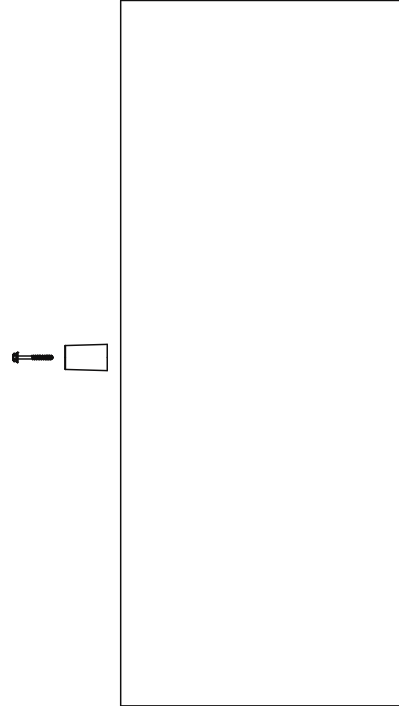
#### Flush Jamb Configuration

Fit 2 x 10mm bumper stops to door using 2 x 25mm pan head screws, as per below image.



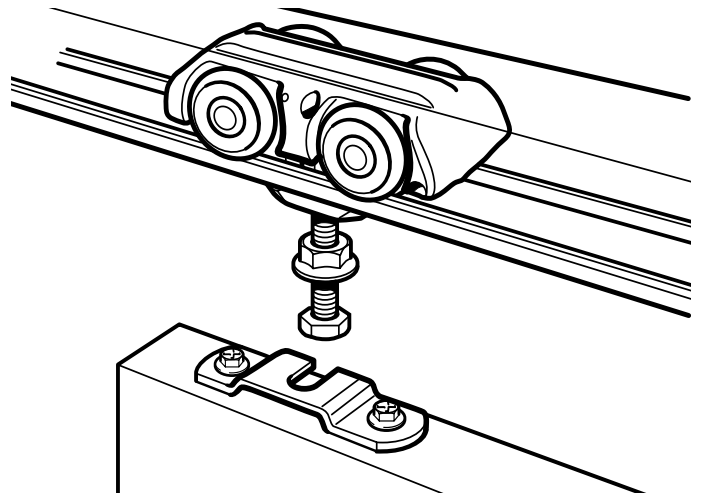
#### Flush Pull Configuration

Fit 1 x 60mm bumper stops to door using 1 x 50mm hex head screw, as per below image.



### STEP 9

With the door in the opening, lift to locate each door support bracket onto the trolley assembly thread, ensuring the self locking nuts are above the bracket.



## INSTALLATION INSTRUCTIONS

### STEP 10

Use the 1 x spanner provided to raise and level the door to the required height and to plumb against the closing jamb. Tighten the lock nuts when the door is correctly positioned. Do not discard the spanner. Attach it to the spanner clip for future use.

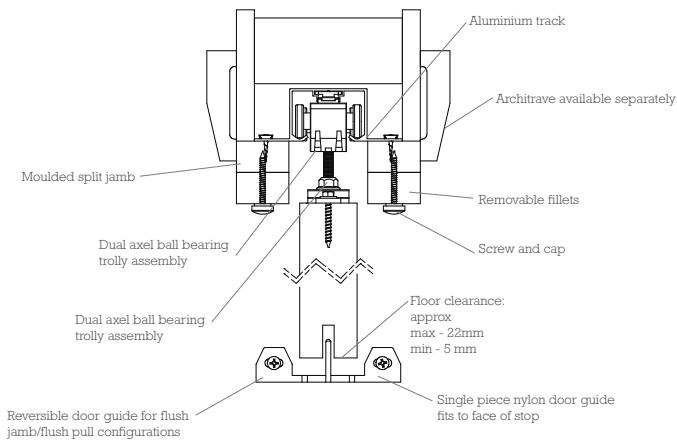
### STEP 11 (SA, VIC only)

Slide the reversible door guide along the groove in the bottom of the door. Loosely screw the guide to the split jamb using the 2 x 16mm pan head screws. Centre the door in the pocket and then fully tighten screws.

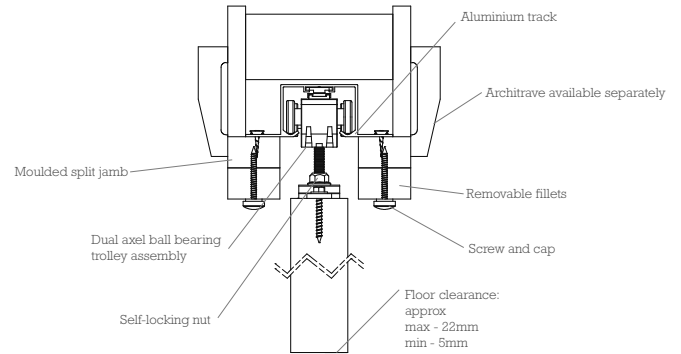
### STEP 12

Screw in place the removable fillets using 4 x 35mm countersunk screws through a white snap cap base. Finish off with supplied snap caps. Refer to drawing in diagram 12A or 12B depending on your state.

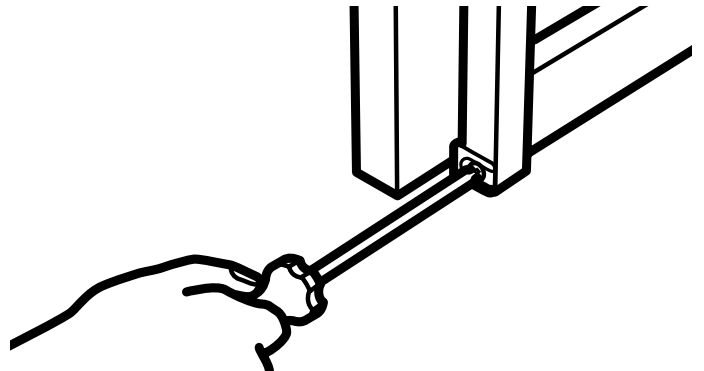
### DIAGRAM 12A (SA, VIC only)



### DIAGRAM 12B (QLD, NSW, WA only)



(QLD, NSW, WA only). Fix the two nylon finger guides to the base of the frame using the elongated opening (for subsequent adjustment). The flexible portion protrudes into the cavity. When the guides are positioned correctly, fasten with 2 x 15mm round head screws.



## INSTALLATION INSTRUCTIONS

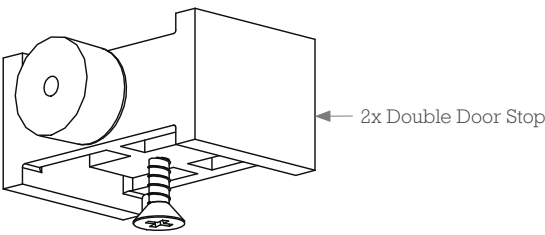
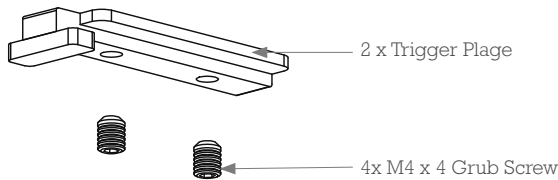
### STEP 13 DOUBLE DOOR STOP APPLICATIONS ONLY

#### ITEMS REQUIRED

1 x Cavity Double Door-Stop Kit

- 2 x trigger plate
- 4 x M4x4 grub screws
- 2 x double doorstop with 25mm CSK screw fitted

1 x Screwdriver (not supplied)

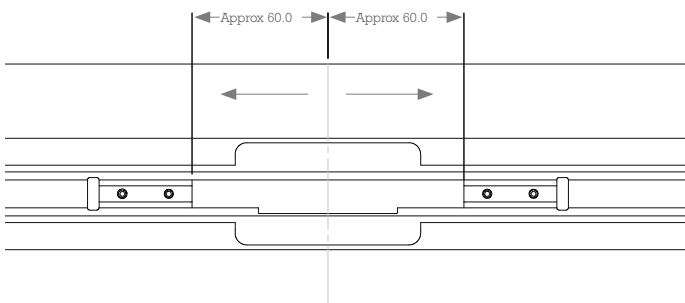


#### STEP 13A

Mark the centre line of the head track.

#### STEP 13B

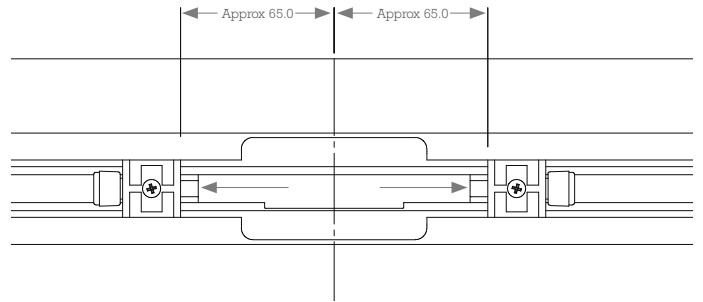
Insert both trigger plates through the slot cut-out and position them approximately 60mm from the centre line of the head track.



#### STEP 13C

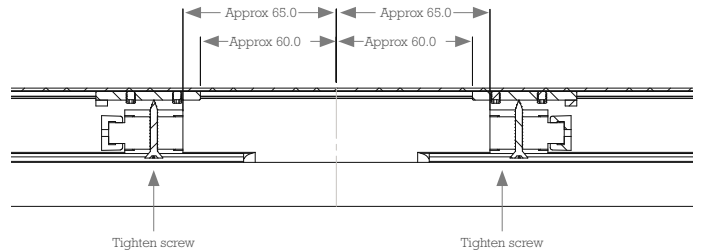
Insert each doorstop through the slot cut-out and position them approximately 65mm\* from the centre line of the track.

**\*The position of the doorstop is relative to the position of the trolley mount onto the door, this is indicative only.**



#### STEP 13D

Adjust the position of the doorstops to ensure double doors meet in the centre and tighten screws to secure.



FAILURE TO ADHERE TO INSTALLATION INSTRUCTIONS WILL VOID WARRANTY.  
For full Terms and Condition of Warranty visit [www.corinthian.com.au/about/warranty](http://www.corinthian.com.au/about/warranty)

Whilst the utmost care is taken to ensure the accuracy of the information contained herein, it is provided in the understanding that the company shall under no circumstances be liable for any injuries, expenses or other losses which may in any way be attributable to the use or adoption of such data and/or design details. All dimensions indicated are nominal only. Corinthian Doors reserves the right to alter or amend without prior notice data and design details specified herein. Photographs or illustrations may not exactly depict the design or specification and may vary to actual. Doors and products are supplied unfinished unless otherwise specified. [www.corinthian.com.au](http://www.corinthian.com.au) Re-Order Code CORCNAT0633/224.